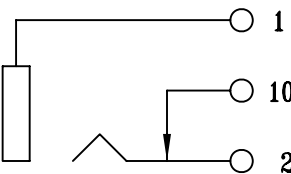
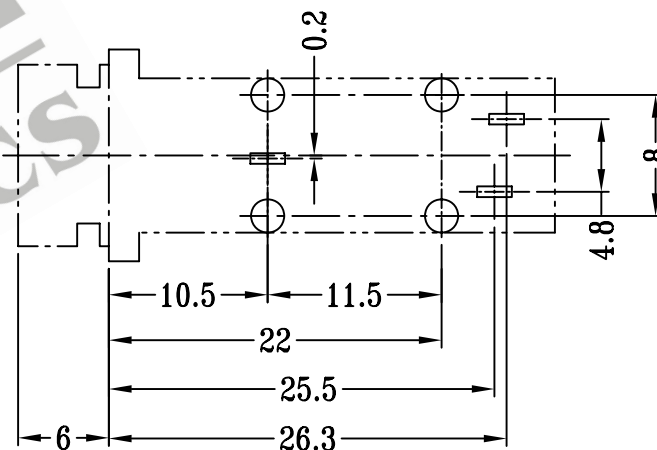
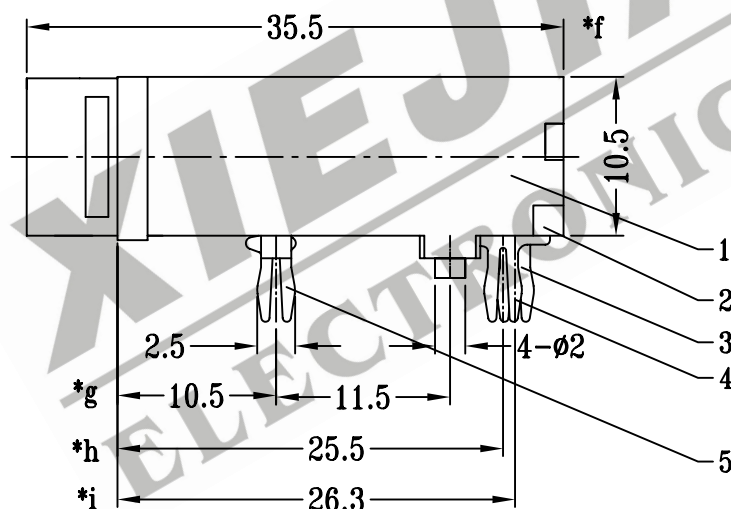
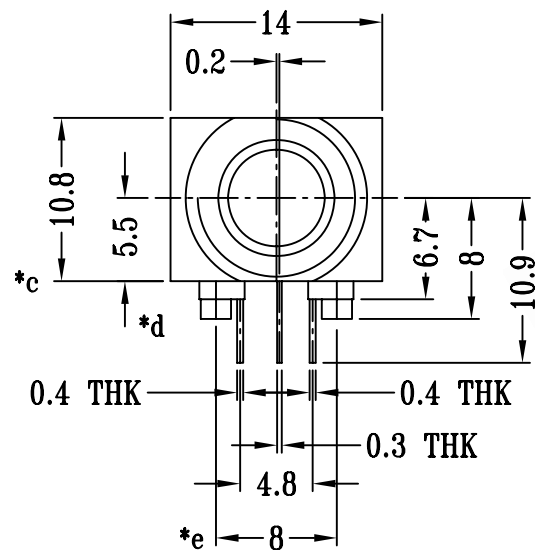
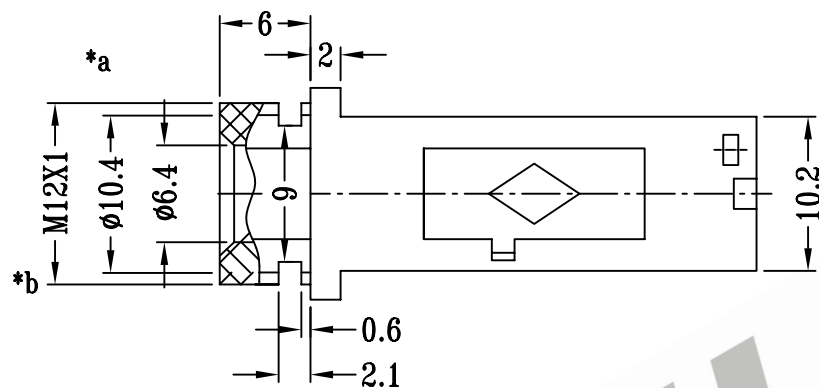


CAD FILE:



SCHEMATIC (MONO)

P.C.B LAYOUT

注:带"*"表示关键尺寸(9个)

8					TOLERANCE UNLESS SPECIFIED	SHENZHEN XIEJIA ELECTRONICS CO.,LTD.				
7										
6					WITHIN: 1.5 ±0.1mm	ISSUE	DATE	DESCRIPTIONS OF REVISION		APPD.
5	SPRING TERMINAL A	PBS STRIP	1	Ag PLATED OVER Ni PLATED	OVER: 1.5 ±0.2mm					
4	SPRING TERMINAL C	PBS STRIP	1	Ag PLATED OVER Ni PLATED	TITLE : PHONE JACK		UNIT : mm	DRWG NO.: XJ-DR-MJ093-00		
3	TERMINAL B	BRASS STRIP	1	Ag PLATED OVER Ni PLATED	MODEL: MJ-093		SCALE: 2 : 1	DWN.	ZHOUYU	2005-12-8
2	COVER	PC	1	RED	ALL MATERIALS MUST BE COMPLIANT TO ROHS			CHK'D	FANGYING	2005-12-8
1	CASE	PC	1	BLACK				APPD.	KANGXINAN	2005-12-8
NO.	PARTS	MATERIALS	Q'TY	FINISH						